



WORK SERIES THREE



A modular desk solution with mid-century character.

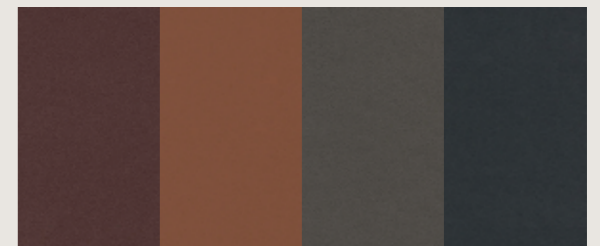
Work Series Three combines solid oak, oak veneered plywood and desktop linoleum and is designed with co-working spaces and meeting rooms in mind. Drawing inspiration from public and academic British library interiors these desks offer a quiet, focussed workspace, integrated power and soft edge profiling.



ANOTHER COUNTRY

Materials:
Solid Oak, Oak veneered plywood, furniture linoleum
Finish: Clear Matt Lacquer

Colour Options:
Burgundy, Brick, Mauve, Charcoal



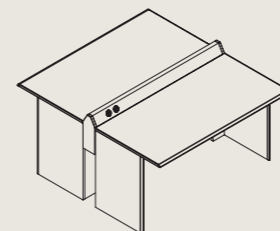
Working Well.



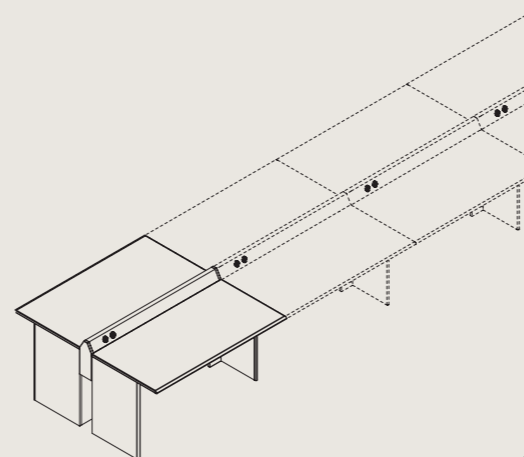
Modular Desk

Our modular desks offer integrated power through a cleverly designed power box which has the added function of offering privacy when working close to others.

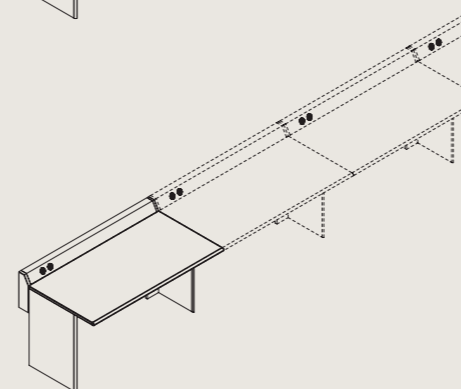
Double Sided - Two Person
Dimensions:
W1400 x D1536 x H740mm



Double Sided - Multi Person
Dimensions:
W variable x D1536 x H740mm

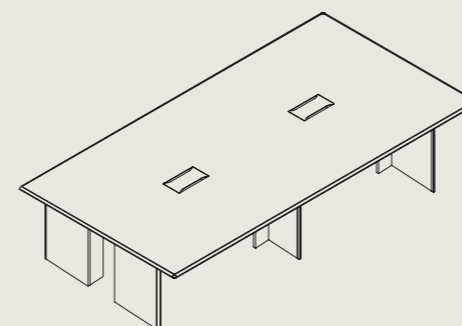


Single Sided - Multi Person
Dimensions:
W variable x D808 x H740mm



Boardroom Table

Our boardroom table comes with integrated power, concealed to provide a clean, quiet environment for meetings.

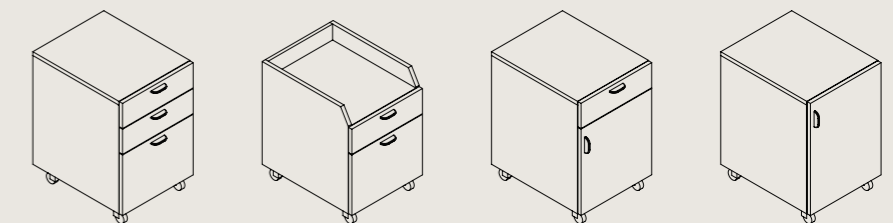


Dimensions:
W3000 x D1536 x H740 mm

Underdesk Storage

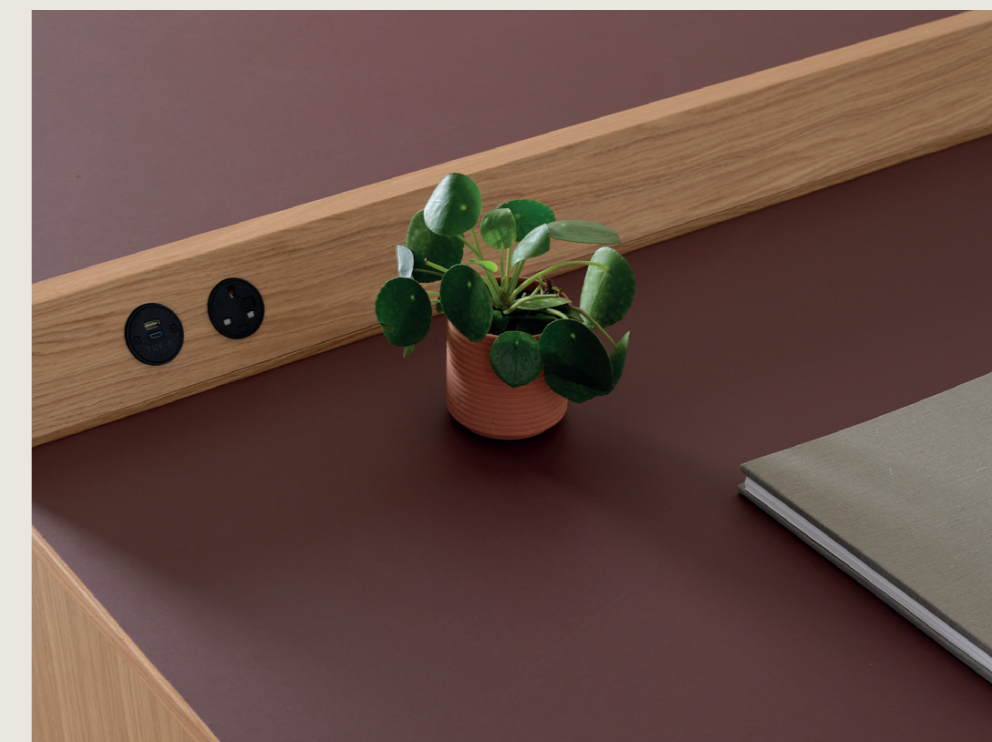
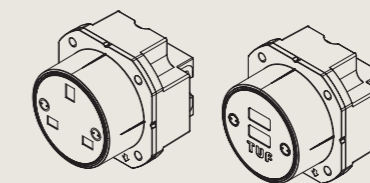
Our collection of four underdesk storage units accommodate a range of workplace needs - documents, sportswear or lunch can be stowed away with ease.

Dimensions:
W408 x D516 x H636mm



Power Module

Our modular desks come with integrated slimline black UK sockets and USB-C/A as standard.



shop@anothercountry.com
www.anothercountry.com