

Bench Five assembly instructions

Please read these instructions carefully before using this product to ensure safe and satisfactory use. This is a large, heavy item so it's advisable to assemble it in the place it will be used.

You will find enclosed:-

- benchtop x 1
- leg frame x 2
- stretcher x 2
- long hex head screws (quantity varies depending on the size of the table)
- Short hex head screws (quantity varies depending on the size of the table)
- allen key x 1

Step 1 - Place the benchtop upside down on a blanket or other cushioned surface. Separately, place the two leg frames upside down with two stretchers in between. Align the holes on the leg frames with those on the stretchers and as illustrated in *Fig.1*, insert the long hex head screws, using the allen key provided . Cover the holes with the wooden caps.

Step 2 - Taking the assembled leg frames, align the holes on the frames with those on the bench top, as illustrated in *Fig.2*.

Step 3 - When the legs are correctly in place, fully tighten the screws using the allen key. With assistance, carefully turn over the bench, without using the legs as leverage.

Step 4 - Your bench is now ready to be used.

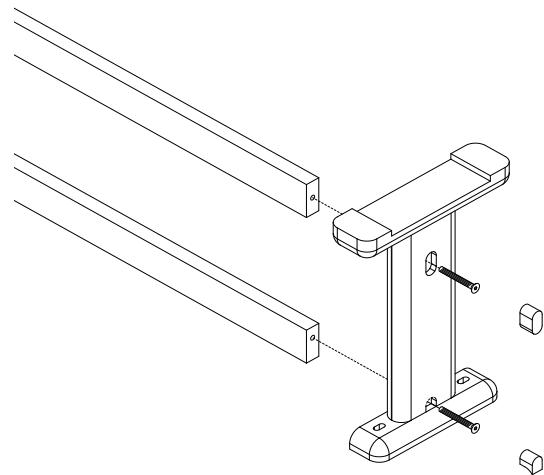


Fig1

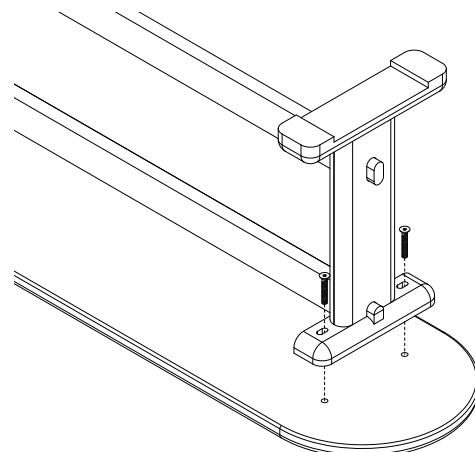


Fig2

