

WORKSTEAD

SIGNAL FLUSH MOUNT

hardwired

Description

The Flush Mount is a compact beacon composed of metal, glass, and a chain.

A hand blown glass globe is delicately mounted between two metal pins above a luminous canopy, creating a hieroglyphic composition. The pull chain holds a slender rod, giving the piece a jewel-like presence.

Materials

Hand blown glass globe with a sandblasted finish. Hewn Brass, Bronze or Nickel with Matching Pull Chain

Dimensions

Globe - 6"

Canopy - 9"

Height to the Bottom of Globe - 8"

Height including Chain - 18"

Weight

6 lbs

Lamp

40 Watt Max

5W Dimmable Bulb Included

280 Lumens

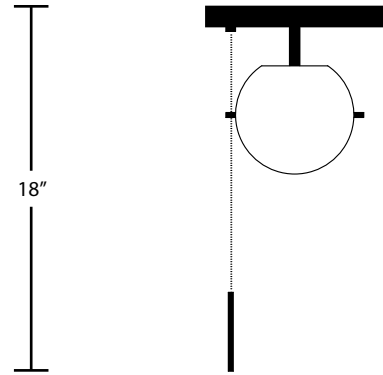
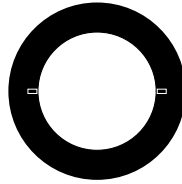
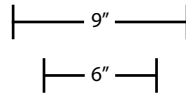
2700K Color Temperature

Bulb Life 30,000 Hours

110/120V, E12

220/240V, E14

UL / CE Approved



front

side



WORKSTEAD

