

WORKSTEAD



INDUSTRIAL CHANDELIER

WORKSTEAD

INDUSTRIAL CHANDELIER

hardwired

Description

The Workstead Chandelier fuses the concept of the chandelier with a keen understanding of function and flexibility.

The same standard pieces can be configured in countless ways; as a horizontal fixture that hangs 30" from the ceiling, or as a tall vertical gesture that hangs a dramatic 60" below ceiling.

Materials

Powder-coated and cast brass clamps with black cloth pulley cord.

Dimensions

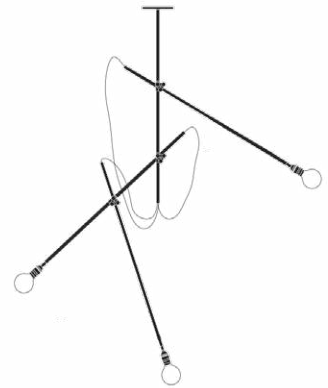
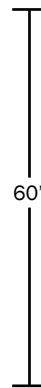
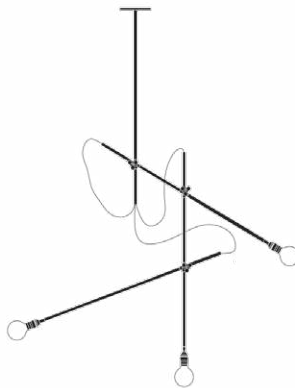
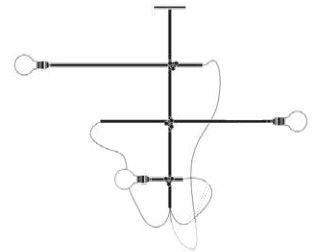
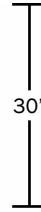
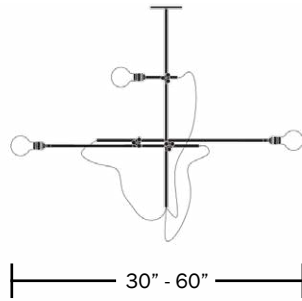
Vertical Stem - 30"
Horizontal Arms - 30"
Canopy - 5 1/4"
Adjustable Depth - 30" to 60"

Weight

13 lbs

Lamp

60 Watt Max
6W Dimmable LED bulb included
540 Lumens
50 Watt Equivalent
2700K Color Temperature
Bulb Life 30,000 Hours
110/120V, E26
220/240, E27
UL / CE Approved



WORKSTEAD

